

# New Jersey Blacksmiths Newsletter

## Nuggets

By Charlie Orlando  
**Rules To Forge By**

- Keep it straight as long as you can, for as long as you can.
- Keep a handle on it as long as you can.
- Use the lightest hammer for the job.
- Do the hardest things first.

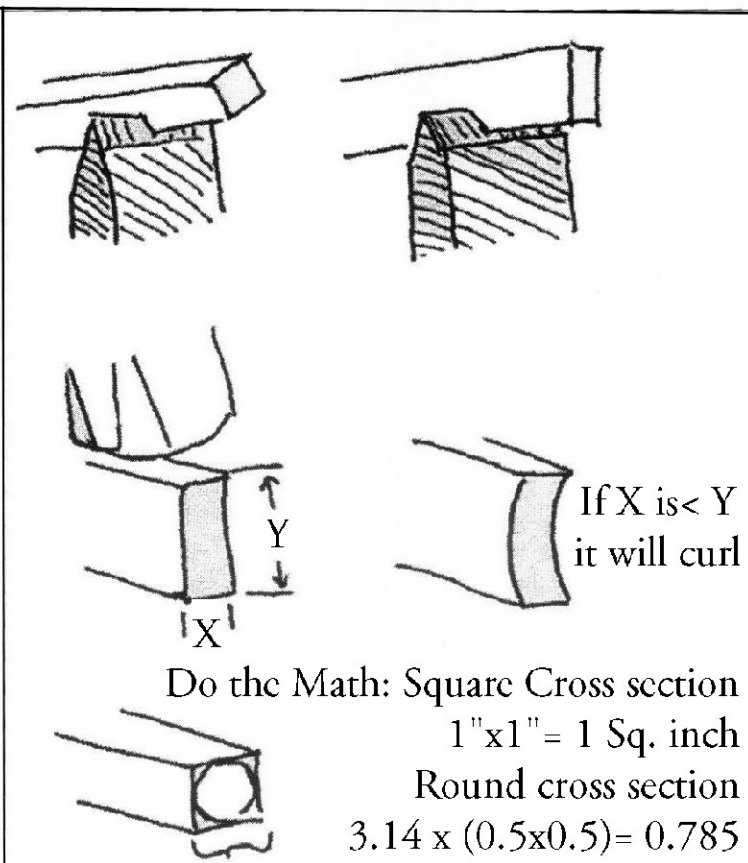
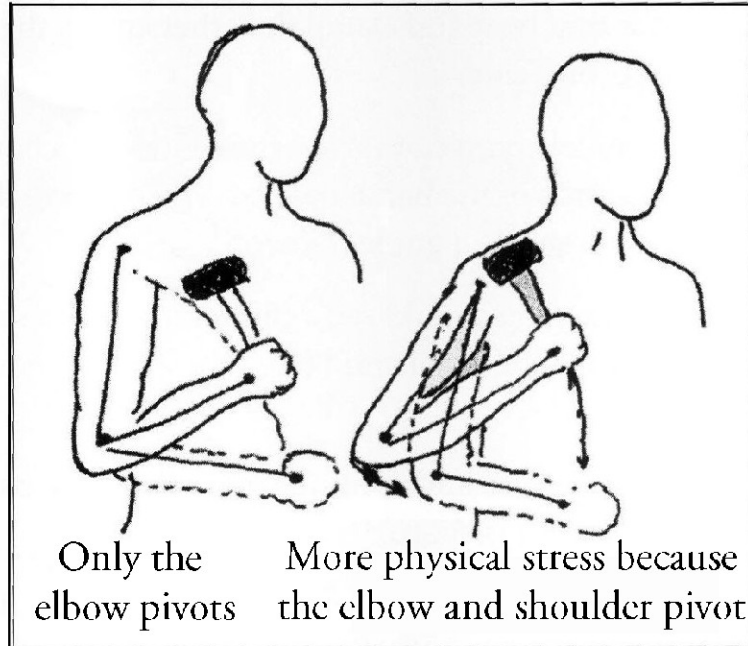
### Economy of Motion

- Hit the hardest when it's the hottest
- Aim for the center of the anvil.
- Use only the muscles you need to accomplish the task. (for example, keep the elbow tucked in close to the body and pivot the arm at the shoulder for heavy blows and at the elbow for the lighter ones. That results in pivoting only one hinge rather than two for the same blow.
- Use the lightest hammer needed.
- Grip a hammer loosely when hammering. Throw it at the anvil, tightening your grip at the last moment.

### Tips

- Always cut on smaller dimension before cutting on the flat.
- When drawing out, start at the end and progress inwards. It's easier to move the metal and to adjust the taper.
- Three-to-one rule: A rectangular bar whose thickness is less than one-third the width will curl when hit.
- Use Plasticine (available at art stores) to practice forging.
- A square bar will contain almost 25% more metal than the same size round bar.

Reprinted from The Hammers Arc,  
7-9/03



NAME \_\_\_\_\_

ADDRESS \_\_\_\_\_

CITY \_\_\_\_\_

STATE/PRO V. \_\_\_\_\_

COUNTRY \_\_\_\_\_

ZIP (+4)/POSTAL CODE \_\_\_\_\_

PHONE # \_\_\_\_\_

EMAIL \_\_\_\_\_

**Order Online, Mail, Call or Fax your Check or Credit Card Payment to:**

**ABANA**  
**P.O. Box 816**  
**Farmington, GA**  
**30638-0816 USA**  
**706-310-1030 VOICE , 706-769-7147 FAX, WWW.ABANA.ORG ABANA@ABANA.ORG**



**ABANA**

- \_\_\_ Regular Member \$45.00
  - \_\_\_ Senior Citizen (Age 65+) \$40.00
  - \_\_\_ Full Time Student \$35.00
  - \_\_\_ Foreign Member \$60.00
  - \_\_\_ Public Library-USA \$35.00
  - \_\_\_ Contributory \$100.00
- MASTERCARD OR VISA ACCOUNT NUMBER

\_\_\_\_\_-\_\_\_\_\_-\_\_\_\_\_  
EXPIRATION DATE \_\_\_\_\_

## Join ABANA or Check out other area chapters!

### Northeast Blacksmiths Association

Northeast Blacksmiths holds its meets twice a year at the Ashokan Field Campus in New York State.

The Ashokan campus is located in Olivebridge, N.Y., several miles west of Kingston, N.Y. The meets are held the first weekend in May and in the first weekend in October every year. The main demonstration is in the blacksmith shop and there is a "Hands On" workshop for beginners. A main demonstrator is brought in for each meet, food and bunk-house style lodging are provided as part of the cost of the weekend long meet.

**Contact : Tim Neu**  
to register for hammer-ins  
or subscribe to the newsletter;  
Tim Neu, Ashokan Field Campus,  
447 Beaverkill Rd.  
Olivebridge, N.Y. 12461 [914]657-8333  
For more information check out the web  
site; <<http://nba.abana-chapter.com/>>

### Join The Pennsylvania Blacksmiths Association!

Name \_\_\_\_\_

Address \_\_\_\_\_

City, State, Zip code \_\_\_\_\_

Home / work Phone # \_\_\_\_\_

E-mail (optional) \_\_\_\_\_

ABANA Member?  Yes  No

Can you host a PABA meeting?  Yes  No

Are you willing to demonstrate at a PABA meeting?  Yes  No

Suggestions for PABA demonstrations

What is your skill level?

Beginner  Intermediate  Advanced  Professional

Send your completed application with \$ 10 ( one year dues) to;  
Treasurer Gene Degenhardt  
271 Stoney Lane  
Lancaster, PA 17603

**PABA Membership**  
**Application**

Membership is from  
Jan. 1 — Dec. 31



New Jersey  
Blacksmiths Association  
90 William Avenue  
Staten Island, New York 10308  
Attn: Larry Brown, Editor



Index For NJBA  
Volume 10, #3  
10/01/05  
Meets and Reports  
Pages 1-5;  
Ads, page 6;  
Forging for a living,  
Pages; 7-13  
Rope Swadge,  
Page; 14  
Self Closing Hinges;  
Pages; 15-17  
Nuggets from Charlie  
Orlando,  
Page; 18

## How to Join or Renew your Membership in NJBA:

NJBA Dues are \$18 per year (as of July 1, 2001).

Please make your check out to: "NJBA"

Please mail checks to:

**NJBA, P.O. Box 761, Mt. Laurel, NJ 08054**

Please include payment with the information listed below. You will receive a postcard confirmation of your membership, and will receive a newsletter within a month.

NJBA's "year" runs from June to June. If you join mid-year, the postcard will offer a prorated dues option which will then allow you to extend your membership till the following June. The following information will be listed in a roster available to other members.

Name \_\_\_\_\_ Home Phone \_\_\_\_\_  
Address \_\_\_\_\_ Day Phone \_\_\_\_\_  
City \_\_\_\_\_  
State \_\_\_\_\_ Zip \_\_\_\_\_  
E-Mail \_\_\_\_\_ Skill Level (optional) \_\_\_\_\_  
Comments \_\_\_\_\_